



LED Fixed Downlights

20W / 25W / 30W

Data Sheet



Product information

The FortisDay LED Fixed Downlights are designed to be used as long-lasting, energy saving, On / Off & multiple option dimming controllable, low maintenance LED solutions for use in domestic, commercial, retail, healthcare and other applications where the quality of light is critical to specific applications.

In addition to offering excellent energy efficiency and long life, the FortisDay LED Downlights allow for simple upgrading from the least complex drive application up to the most sophisticated automated control requirements enabling users to always have the optimum energy efficient solution in their installation.

FortisDay LED Downlights are offered in a range of high-quality luminaires designed to reduce lighting costs without compromise to the visual quality of indoor environments.

Structures & Materials

Bezel Housing: Al / alloy drop forged housing available in white or black textured paint powder coat or matt textured anodized al / alloy natural colouring.

LED heat sink: Extruded black anodized heatsink.

Optic: Flame-retardant polycarbonate.

Applications

- Domestic lighting
- Retail lighting
- Commercial lighting
- Healthcare lighting
- Education lighting

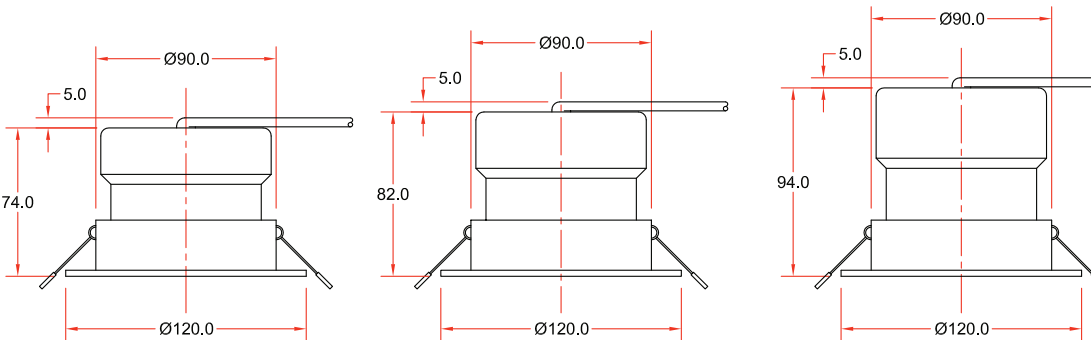
Features & Benefits

- Uses Cree COB LED for assured life / durability
- 900, 1100, 1500, 1800, 2000 & 2500 Lumens options (see parts list)
- Choice of optics of 10°, 24°, 38°, 60° & 90°
- 4 colour temperature options with 2700K, 3000K, 4000K & 5000K
- LEDs available in 70, 80, 90 & 95 CRI in all those Kelvin options and as well 2-step / 4-step MacAdam ellipse colour consistency
- Long life, 50,000 hours at L80 and in excess of 80,000 hours to L70
- 3 wattages: 20W, 25W, 30W
- Pre-wired LED Driver options (On / Off, Phase, 1-10V or DALI as standards with DSI & PWM options available)
- No delivered IR or UV radiation
- No mercury or radioactive components, RoHS compliant

Ordering data

Part Number	Product Description	*Colour (K) Temperature	Watt (W)	Lumen Output (lm)	CRI	System Efficacy (lm/W)	**Beam Angle Options (Specify on order)	Dimensions (mm)	Dimming Control Type
FTD-DL-*K-20W-**-PH	20W Downlight	2700/3000/3500/4000/5000	20	2100	85	79.7	10/24/38/60/90	74x120	Phase Dimming
FTD-DL-*K-20W-**-ND	20W Downlight	2700/3000/3500/4000/5000	20	2100	85	79.7	10/24/38/60/90	74x120	Non Dimming
FTD-DL-*K-25W-**-PH	25W Downlight	2700/3000/3500/4000/5000	25	2400	85	79.7	10/24/38/60/90	82x120	Phase Dimming
FTD-DL-*K-25W-**-ND	25W Downlight	2700/3000/3500/4000/5000	25	2400	85	79.7	10/24/38/60/90	82x120	Non Dimming
FTD-DL-*K-30W-**-PH	30W Downlight	2700/3000/3500/4000/5000	30	2700	85	79.7	10/24/38/60/90	94x120	Phase Dimming
FTD-DL-*K-30W-**-ND	30W Downlight	2700/3000/3500/4000/5000	30	2700	85	79.7	10/24/38/60/90	94x120	Non Dimming

Dimensions [mm]



Globally trusted supplier of outdoor and indoor LED luminaires

As experts in the field of LED lighting, we partner with pioneers and visionary manufacturers who share both our focus and ambition to produce innovation in energy saving products